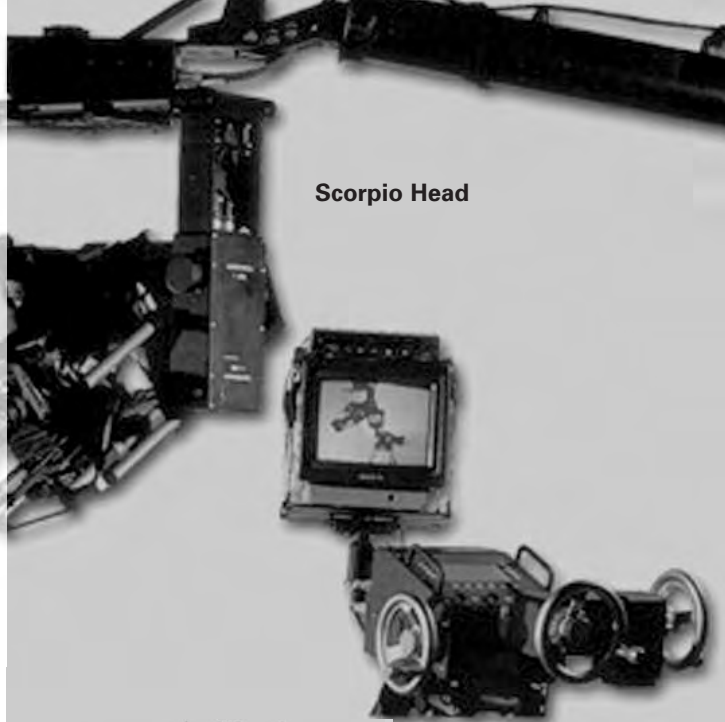


SCORPIO HEAD

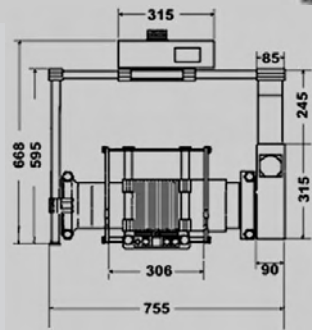
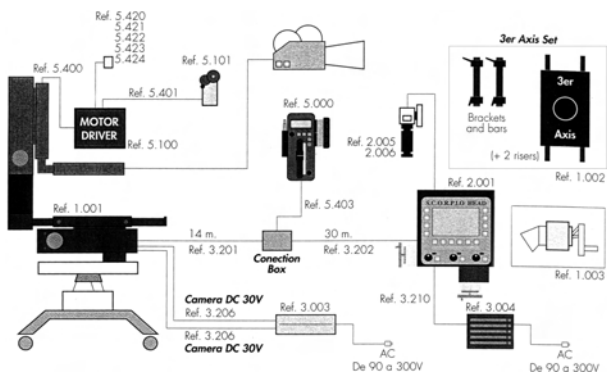
Specifications

- The Scorpio Head can be configured with two or three axes.
- The digitally controlled Scorpio Head performs with heavy camera loads up to 80 Kg. (176 lbs.) with two axes and to 40 Kg (88 lbs.) with three axes.
- The Remote Head can be controlled from up to 500m (1500 feet) away. Series channel RS485 Half-duplex
- All axes (pan, tilt & roll; zoom, focus & iris) are programmable and repeatable.
- Two control systems are available: handwheels & joystick.
- Its mechanical system allows you to move every axes manually.
- You have a lot of available options on the control system that allows you to work in a comfortable way: Roll-Horizon, Zoom Compensating, Limits for all axes, Focus Setup (Internal, External and by Radio), Damping adjustment, Speed adjustment, etc...
- Power to the Head ranging from 19 V to 34 V DC.
- Maximum Speed is 2,7 sec per 360°
- Shoot 360° continuous in all the axes.



Scorpio Head

Configuration diagram



Dimensions

