

PANAVISION® MODULAR ACCESSORY KIT



The Modular Accessory Kit fitted on the Panasonic HPX3000 and the Sony F23

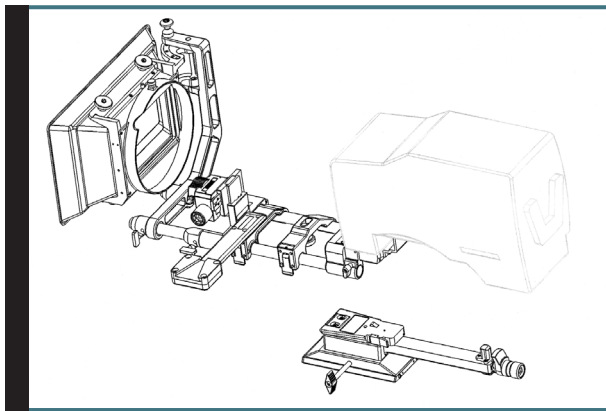
KEY FEATURES

- Uses standard Panavision accessories with a digital video camera
- Includes adaptors for Panavision matte box and follow focus
- Accessories stay with camera when going to handheld mode
- Maintains standard B4 lens mount
- Uses Panavision or 19mm rods & supports

PANAVIZE DIGITAL VIDEO CAMERAS

The Panavision Modular Accessory Kit is a new way to "Panavize" digital video cameras with a flexible system of brackets and supports. The Modular Accessory Kit adapts Digital Cameras for use with standard Panavision iris rods, follow focus, matte box and other accessories. (A variation of the system can also be configured for Arriflex 19mm accessories). Adjustable lens supports mount on the rods to accommodate virtually any digital lens. The standard B4 lens mount is retained, ensuring broad lens compatibility.

A key feature of the Kit is the ability to quickly and easily change the camera from studio to handheld mode, by simply disengaging the dove-tail lock. All accessories (follow focus, matte box...) stay connected to the camera in the handheld mode.



The Modular Accessory Kit can be used with a variety of digital video cameras including:

- Sony F23, F900R & F900
- Panasonic HPX3000, HDX900, & Varicam

SPECIFICATIONS

1. A new camera base allows use of Panavision accessories including Panavision camera mounting platform and dove-tail, Panavision follow focus and matte box, Panavision handheld rigs, and Panavision Primo digital lenses.
2. For handheld use, the camera with all its accessories can be quickly released from the baseplate, without removing or reconfiguring any of the accessories. The camera base is compatible with existing Panavision handheld rigs, which quickly snap in or out.
3. Interchangeable rod holders allow the camera to be configured to use Panavision size rods or 19mm rods.
4. Bridge supports for Panavision-size rods (5/8") and 19mm rods are the same distance from lens center allowing the same lens brackets to be used.
5. Camera handle adapter provides easy mounting of either an on-board monitor or a Steadicam plate.